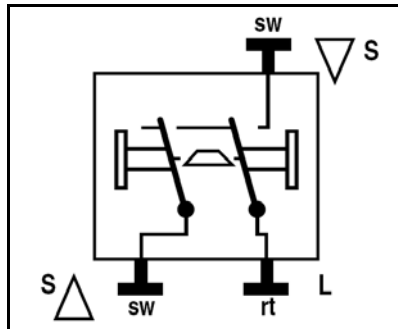




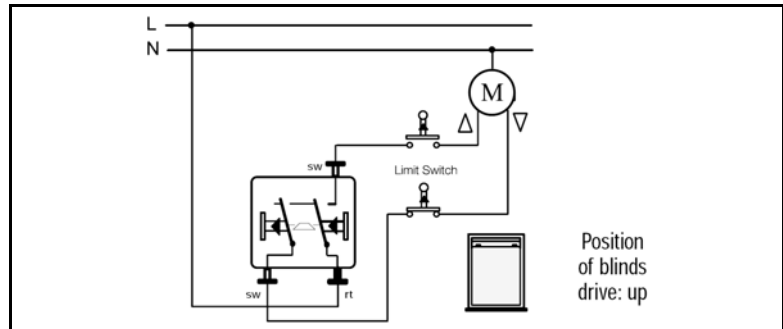
Description: 2-gang blind push-button (1-pole)

Ref.-no.: 839 VW

Mechanical interlocking to avoid switching of both rockers at the same time.



Contact assignments



Wiring diagrams
839 VW

Technical data

Switching voltage: AC 250 V ~
Switching current: 10 AX
Connection: spring clip
Switch type: 1-pole push-button (1 motor)