

LED pilot light

Ref.-no.: LEDKO6TX24

GB

Operating instructions**1 Safety instructions**

Electrical devices may only be mounted and connected by electrically skilled persons.

Serious injuries, fire or property damage possible. Please read and follow manual fully.

Danger of electric shock. Always disconnect before carrying out work on the device or load.

These instructions are an integral part of the product, and must remain with the end customer.

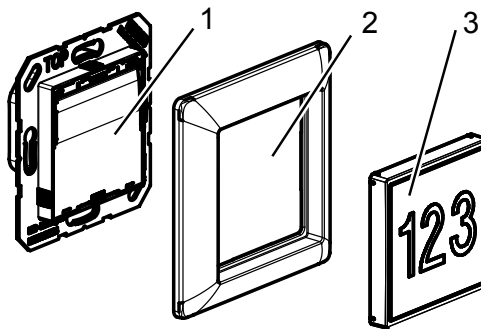
2 Structure of the device

Fig. 1: Structure of the device

- (1) LED insert
- (2) Frame
- (3) Cover

3 Function**Intended purpose**

- LED pilot light for use in dry indoor areas
- Installation in appliance box according to DIN 49073

Product characteristics

- Custom label, symbols or text
- Backlight in white, red, green or orange
- Colour change via separate switch

4 Information for electrically skilled persons**Installation and electrical connection****DANGER**

Electric shock from touching live parts in the installation environment.

An electric shock can be fatal.

Before working on the device, disconnect the power and cover live parts in the area.

- Connect the device according to wiring diagram (fig. 2).

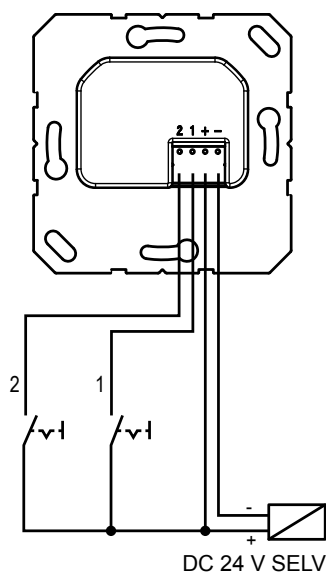


Fig. 2: Wiring diagram

LED-colour/ connection	terminal 1	terminal 2
white	-	-
green	DC 24 V	-
red	-	DC 24 V
orange	DC 24 V	DC 24 V

Table 1: Terminal assignment LED-colour

- Install the device.
- Install frame and cover onto the device.

Technical data

Rated voltage	DC 24 V SELV $\pm 10\%$
Rated power	< 1.5 W
Ambient temperature	-5 ... +45 °C

Connection	Female connector Wago PicoMax 3.5 Typ 2091-1124 0.5 ... 1.5 mm ²
------------	--

5 Accessories

2-gang switch	505KO5VEUM24
Cover	ACUKO6TX.. LSCUKO6TX..

The covers are individually lasered. Before ordering the covers, specify individual design under gt.jung.de.

6 Warranty

The warranty follows about the specialty store in between the legal framework as provided for by law.

ALBRECHT JUNG GMBH & CO. KG

Volmestraße 1
58579 Schalksmühle
GERMANY

Tel. +49 2355 806-0
Fax +49 2355 806-204
kundencenter@jung.de
www.jung.de