

eNet radiografische gateway IP

Art. No. : FM-GATE-IP

Operating instructions**1 Safety instructions**

Electrical devices may only be mounted and connected by electrically skilled persons.

Serious injuries, fire or property damage possible. Please read and follow manual fully.

The radio communication takes place via a non-exclusively available transmission path, and is therefore not suitable for safety-related applications, such as emergency stop and emergency call.

These instructions are an integral part of the product, and must remain with the end customer.

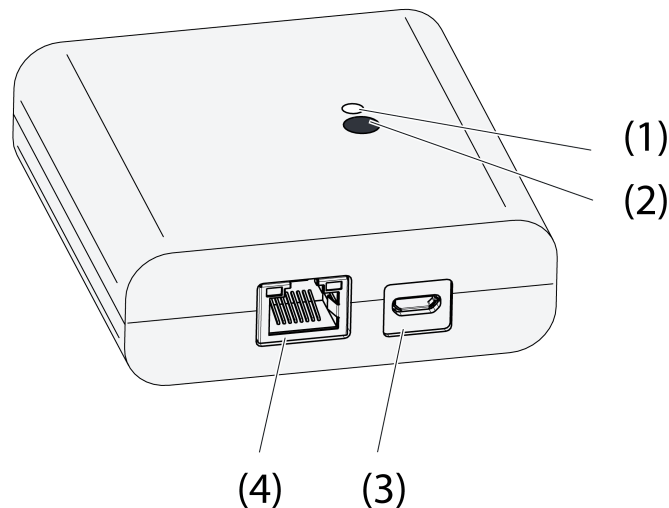
2 Device components

Figure 1: Gateway

- (1) Status LED
- (2) Button **Update/Prog.**
- (3) USB connection for power supply
- (4) Ethernet connection

3 Function**Legal Notice**

This product incorporates open source software components covered by the terms of third party copyright notices and/or license agreements. Please refer to the attached "License Information" for details.

Intended use

- Gateway for the operation of eNet switching, dimming and Venetian blind actuators via tablet PC or smartphone
- Operation with USB power supply

- Operation with WiFi router or access point, which support DHCP (Dynamic Host Configuration Protocol), or with fixed IP address
- Operation indoors

Product characteristics

- Up to 5 tablet PCs or smartphones can be simultaneously connected to the gateway
- Status LED to display the state of operation
- 20 lists for the compilation of favourite functions
- 24 channels for the operation of eNet actuators
- 16 scenes
- Update of the device software via tablet PC or smartphone
- Wall bracket
- Operation with fixed IP address

Function dependent on the app used:

- All On and All Off
- Lock-out protection for roller shutters or Venetian blinds
- Restraint function
- Master dimming function

Supplementary functions can be activated via eNet server:

- Operation locks
-  The parameter list is in the Internet in the documentation for this device.

Supplementary function with eNet server:

- Reading of error memory

Function of status LED (1) in operation

LED turns green	Ready for operation
LED flashes green	Gateway obtains the IP address from the router
LED turns green, alternately 5 seconds on and off	No IP connection available
LED flashes red for 5 seconds	Transmission error. The status message of at least eNet one actuator is missing.

4 Operation

Operation takes place using an app installed on a tablet PC or smartphone. The basic operation steps are described below. Operation may deviate from this, depending on the app used.

Operating light

- Switching: Press the control surface of the app for less than 0.4 seconds.
- Dimming: Press the control surface of the app for longer than 0.4 seconds. The dimming process ends when the control surface is released.

Operating blind

- Move Venetian blind: Press the control surface of the app for longer than 1 second.
- Stopping or adjusting the Venetian blind: Press the control surface of the app for less than 1 second.

Operating push-button actuator

- Press the control surface of the app. The load is switched on for the length of actuation.

 The maximum actuation length is 60 seconds.

Recalling scenes

- Briefly press the control surface of the app.
Actuators switching to the saved scene.

5 Information for electrically skilled persons

5.1 Fitting and electrical connection

Installing the wall bracket

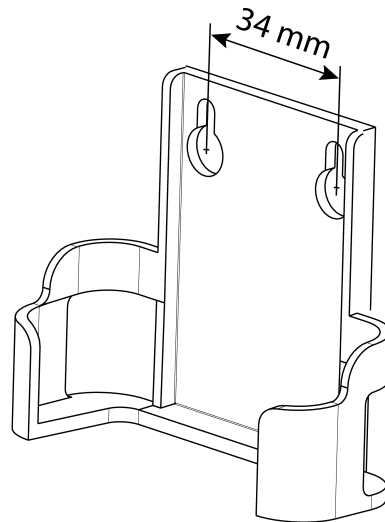


Figure 2: Hole spacing, wall bracket

To ensure good transmission quality, keep a sufficient distance from any possible sources of interference, e.g. metallic surfaces, microwave ovens, hi-fi and TV systems, ballasts or transformers.

- Fasten the wall bracket with countersunk head screws and push the Gateway into the wall bracket.

Connect the Gateway

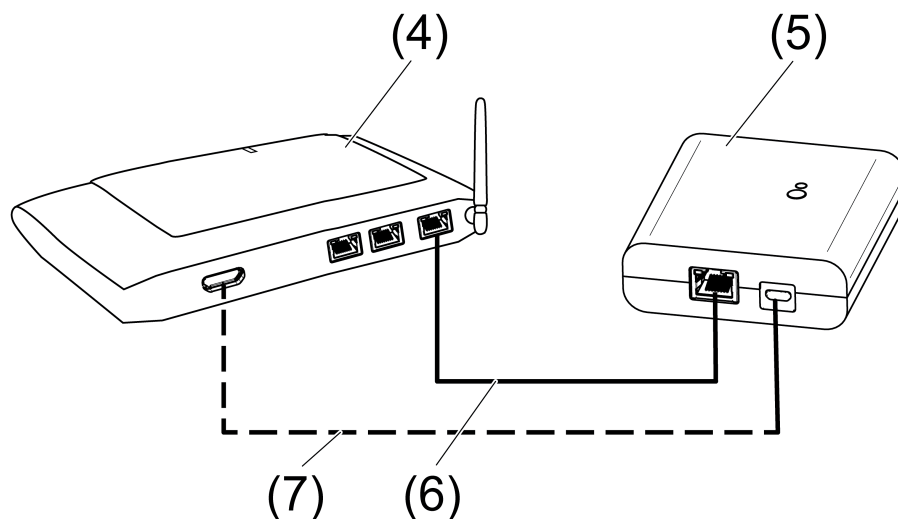


Figure 3: Connection of the Gateway

- (4) WiFi router or access point
- (5) Gateway
- (6) Ethernet cable

(7) USB cable, Micro USB plug.

WiFi route supports DHCP and the Gateway is set up for operation with DHCP (default setting).

- Using the supplied USB cable, connect the Gateway to a free USB connection of the WiFi router or a USB power supply (not included in the scope of supply).

The Status LED (1) flashes green every 10 seconds (no LAN connection available).

- Establish network connection. To do this, connect the LAN connection to a free LAN connection of the WiFi router using the Ethernet cable supplied.

The orange LED of the LAN connection lights up when the connection is correct. The green LED of the LAN connection flashes during data transmission.

The Status LED (1) flashes green, the Gateway is obtaining the IP address of the WiFi router via DHCP.

The Status LED (1) turns green, meaning the Gateway is ready for operation.

5.2 Commissioning



DANGER!

Electrical shock when live parts are touched.

Electrical shocks can be fatal.

During commissioning, cover the parts carrying voltage on radio transmitters and actuators and in their surrounding area.

- i** The Gateway can also be commissioned with eNet server as an alternative to the commissioning described here.

Connecting a tablet PC or smartphone with the Gateway

- Connect the tablet PC or smartphone with the WiFi router.
- Download the app.
- Launch the app, scan for IP devices and set up the connection.

- i** The details for connecting the terminal and the Gateway depend on the app used.

Connecting the Gateway to the actuators

- i** Up to 10 radio actuators can be connected to a transmitter in a single step.
 - Launch the app and select the menu item for commissioning.
 - When requested, enter the password (default setting: 0000) to access commissioning.
- i** For security reasons, change the password after this (see Changing the password).
 - Using the app: Select the channel or scene.
 - Using the app, switch the Gateway to programming mode.
 - Switch the actuator channels to programming mode (see actuator instructions).
The app signals the number of actuators found.
 - Confirm the connection in the app.
The channel or scene is connected to the actuators.

Changing the password

- Briefly press the Update/Prog. button (2).
Now, the menu items Commissioning and IP Gateway Settings can be opened for 5 minutes with any password.
- Enter a new password. The password can consist of 1 to 15 numerical characters.

- i** The new password only becomes valid after 5 minutes.

Update device software

The device software is updated using the app. During the update, only one tablet PC or smartphone can access the Gateway. Any other tablet PCs or smartphones connected with the Gateway are informed that an update is taking place.

- Download the new app onto the tablet PC or smartphone.
- Start the update.
- When requested to do so by the app: Press the **Update/Prog.** button on the Gateway.
After a few seconds, the Status LED (2) will flash green and orange alternately. The device software is being updated. The flashing rhythm becomes faster during the update.
Status LED is green: Update has been completed. All the tablet PCs or smartphones connected with the Gateway are informed that the software was updated.

Reset the Gateway to the default setting.

All connections to actuators are disconnected and parameters are reset to default setting.

- i** The connections in the actuators are preserved and must be deleted separately.
- Press the **Update/Prog.** button for longer than 20 seconds.
After 20 seconds, the Status LED (1) turns red.
 - Release the button and press it briefly once again within 10 seconds.
The status LED turns orange for approx. 15 seconds and then flashes green for approx. 1 second.
The Gateway has been reset to the default setting.

6 Appendix

6.1 Technical data

Rated voltage	DC 5 V
Current consumption	typ. 150 mA
Ambient temperature	0 ... +45 °C
Degree of protection	IP 20
Dimensions L×W×H	80×76×25.5 mm
USB	
USB connection	Micro socket
Cable length	max. 3 m
LAN	
Connection	RJ45-socket 8-pin
Radio frequency	868.0 ... 868.6 MHz
Transmission capacity	max. 20 mW
Transmitting range in free field	typ. 100 m
Receiver category	2

6.2 Parameter list

- i** Only with eNet Server Software up to version 1.4

The device parameters can be changed with the eNet server:

Device and channels

Parameters	Setting options, Basic setting	Explanations
Function	Rocker, Scene, Unused Basic setting: Rocker/Scene	Rocker The channel works as a channel button. Scene The channel works as a scene button. Unused The channel is not displayed in the eNet SMART HOME app and is disabled for use in the commissioning interface.

Operating mode	App use, lock-out protection, forced operation Basic setting: App use	Setting the type of scene used for a scene channel.
----------------	--	---

Device settings

Parameters	Setting options, Basic setting	Explanations
IP address	Freely-settable IP address Basic setting: 192.168.0.23	Setting of the IP address of the IP Gate.
Subnet mask	Freely-settable subnet mask Basic setting: 255.255.255.0	Setting of the subnet mask.
Standard Gateway	Freely-settable IP address Basic setting: 192.168.0.1	Setting of the Standard Gateway.
DHCP	On, Off Basic setting: On	Activate the DHCP client. Automatic allocation of the network configuration of the eNet server via a DHCP (Dynamic Host Configuration Protocol). When DHCP is activated, on each switch-on, the eNet server requests its IP address from the DHCP server, along with the subnet mask, standard gateway and, if necessary, DNS address.

Advanced device settings

Parameters	Setting options, Basic setting	Explanations
Manual commissioning	On, Off Basic setting: On	Disables manual commissioning for all device channels. In the "Off" setting, the device cannot be reset to the factory setting.
Repeater mode	On, Off Basic setting: Off	In addition to its other functions, the device can be used as a repeater. In the "On" setting, the device repeats all the received telegrams.

Extended channel settings

Parameters	Setting options, Basic setting	Explanations
Manual commissioning	On, Off Basic setting: On	Blocks manual commissioning for the device channel. In the "Off" setting, the device cannot be reset to the factory setting.
Local Operation	On, Off Basic setting: On	With this device, the parameter has no function.

6.3 Troubleshooting

The status LED (1) flashes green every 10 seconds.

Cause: No LAN connection available.

Check the LAN connection.

Gateway does not obtain the IP address from the router or access point

Cause: Router or access point does not support DHCP.

After approx. 5 minutes, the Gateway switches to the permanent IP address 192.168.0.23 and can then be configured appropriately using the app.

No connection possible between smartphone or tablet PC and the Gateway

Cause: There are already 5 active connections to appropriate devices.

Disconnect any unrequired connections.

Password for access to commissioning forgotten

Before opening the commissioning on the Gateway, press the **Update/Prog.** button (2) briefly. When requested to do so by the app, enter the new password.

Additional connections to actuators are not possible.

Cause: all the memory locations in the gateway are occupied.

Disconnect connections no longer required.

or

Use an additional gateway for new connections.

After a button has been pressed, the status LED flashes red quickly for 3 seconds.

Cause: Maximum permitted transmission period (statutory Duty Cycle Limit) has almost been reached. For the function of the transmitter to continue, the polling and display of the sum status will be switched off. As soon as sufficient transmission time is available again, the sum status will again be polled on button actuation.

Actuate again after a short waiting time, normally a few seconds.

Reduce the number of actuations.

Reduce the number of actuators connected to the gateway.

6.4 Accessories

USB charger

Art. No. 521-2USB

iOS App: Apple App Store

Android App: Google Play Store

Albrecht Jung GmbH & Co. KG hereby declares that the radio system type

Art. No. FM-GATE-IP

corresponds to the directive 2014/53/EU. You can find the full article number on the device. The complete text of the EU Declaration of Conformity is available under the Internet address:

www.jung.de/ce

6.6 Warranty

The warranty follows about the specialty store in between the legal framework as provided for by law.

ALBRECHT JUNG GMBH & CO. KG

Volmestraße 1
58579 Schalksmühle
GERMANY

Telefon: +49 2355 806-0
Telefax: +49 2355 806-204
kundencenter@jung.de
www.jung.de