

**Standard push-button module with integrated BCU, 1-gang**

Art.-No.: 4071 TSM

**Standard push-button module with integrated BCU, 2-gang**

Art.-No.: 4072 TSM

**Standard push-button module with BCU, 3-gang**

Art.-No.: 4073 TSM

**Standard push-button module with integrated BCU, 4-gang**

Art.-No.: 4074 TSM



Operating philosophy F40  
www.jung.de

## Operationsmanual

### 1 Safety instructions

**Electrical equipment may only be installed and fitted by electrically skilled persons.**

**Failure to observe the instructions may cause damage to the device and result in fire and other hazards.**

**Use only the enclosed plastic screws for fastening to the supporting frame. Otherwise safe operation cannot be ensured. Electrostatic discharges can cause defects in the device.**

**These instructions are an integral part of the product, and must remain with the end customer.**

### 2 Function

#### System information

This device is a product of the KNX system and complies with the KNX directives. Detailed technical knowledge obtained in KNX training courses is a prerequisite to proper understanding.

The function of this device depends upon the software. Detailed information on loadable software and attainable functionality as well as the software itself can be obtained from the manufacturer's product database. Planning, installation and commissioning of the device are carried out with the aid of KNX-certified software. The latest versions of product database and the technical descriptions are available on our website.

#### Intended use

- Operation of loads, e.g. light on/off, dimming, blinds up/down, brightness values, temperatures, calling up and saving light scenes, etc.
- Installation in appliance box to DIN 49073

#### Product characteristics

- The pushbutton functions switching, dimming, controlling blinds, valuator, calling up moods, etc., depending on the application selected
- Completion with keyset
- One red status LED per button
- A blue operation LED as an orientation light and to indicate the programming status
- Integrated bus coupling unit

### 3 Operation

#### Operating a function or load

Each button is divided into two halves, with a function assigned to each of them. Operation depends on the specific function.

- Switch: Short press on the button.
- Dim: Long press on the button. The dimming process ends when the button is released.
- Move Venetian blind: Long press on the button.
- Stop or adjust Venetian blind: Short press on the button.
- Call up light scene: Long press on the button.
- Save light scene: Long press on button.

- Set value, e.g. brightness or temperature setpoint: Short press on the button.

## 4 Information for electrically skilled persons

### 4.1 Fitting and electrical connection



#### **DANGER!**

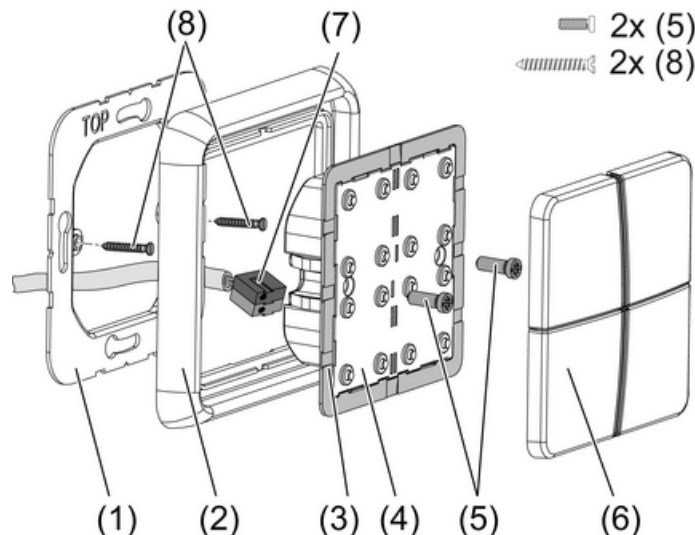
**Electrical shock on contact with live parts in the installation environment.  
Electrical shocks can be fatal.**

**Before working on the device, disconnect the power supply and cover up live parts in the working environment.**

#### **Snapping on the adapter frame**

- With the adapter frame (3) in the correct orientation, snap it from the front onto the pushbutton module (4) (picture 1). Note marking **TOP**.

#### **Fitting and connecting the device**



picture 1: Mounting the push-button module

- (1) Supporting frame
- (2) Design frame
- (3) Adapter frame
- (4) Push-button module
- (5) Fastening screws
- (6) Buttons
- (7) KNX connection terminal
- (8) Box screws

Supporting frame side **A** for A design ranges, CD design ranges and FD design. Supporting frame side **B** for LS design ranges.


**DANGER!**
**Danger of electrical shock!**
**When mounting with 230 V socket outlets under a common cover there is a danger of electrical shocks in the event of a fault!**
**Use only the enclosed plastic screws for fastening to the supporting frame.**

- Mount supporting frame (1) in the correct orientation on an appliance box. Note marking **TOP**; marking **A** or **B** in front. Use only the enclosed box screws.
- Push frame (2) onto supporting frame.
- Connect push-button module (4) to the KNX using KNX connecting terminal (7) and push onto the supporting frame.
- Fix pushbutton module to supporting frame using the enclosed plastic screws (5). Tighten the plastic screws only lightly.
- Before mounting the buttons (6), load the physical address into the device (see chapter 4.2. Commissioning).

## 4.2 Commissioning

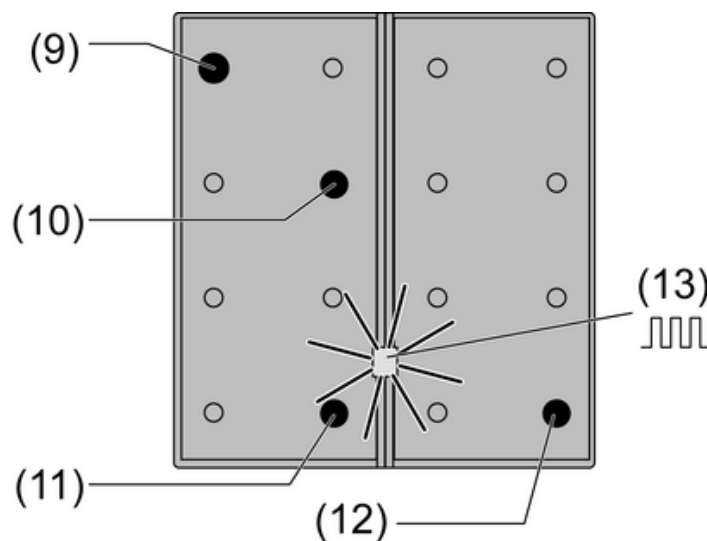
### Loading the physical address and application software

Configuration and commissioning with ETS3.0d Patch A or more recent.

The device is connected and ready for operation.

The buttons are not mounted yet.

- i If the device does not receive any application software, or the wrong application software, then the blue operation LED flashes slowly.



picture 2: Activating programming mode

- Activate programming mode: Press and hold push-button at the upper left (9). Then press push-button at the lower right (10, 11 or 12):

| Push-button module | Prog. push-button |
|--------------------|-------------------|
| – 4gang, 3gang     | (9) + (10)        |
| – 2gang            | (9) + (11)        |
| – 1gang            | (9) + (12)        |

The operation LED (13) flashes quickly.

- Load physical address into the device.

The operation LED (13) returns to its previous state – off, on, or flashing slowly.

- Write the physical address on the device label.
- Load the application software into the device.

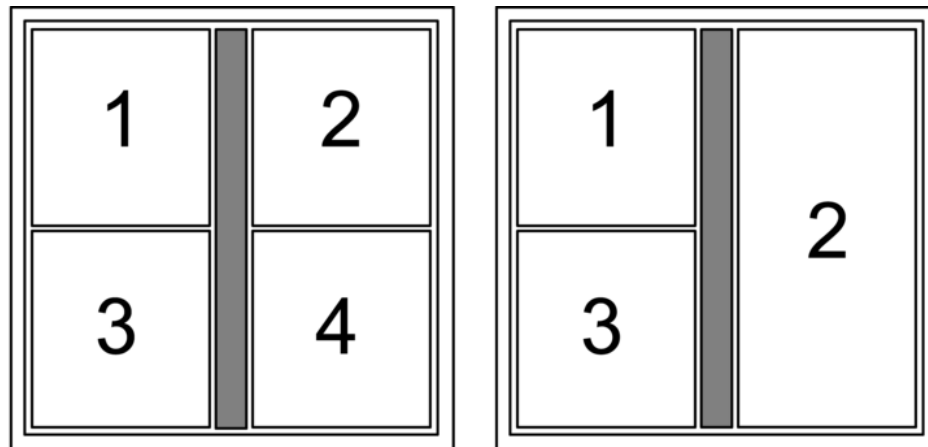
### Installing the buttons

The buttons are available as a complete set of buttons. Individual buttons or the complete set of buttons can be replaced using buttons with symbols.

**i** The mounting spider is not required to mount the buttons.

The physical address is loaded into the device.

- Place the buttons on the device in the correct orientation and snap in with a short push. Note marking **TOP**.



picture 3: Button assignment

## 5 Appendix

### 5.1 Technical data

|                               |                       |
|-------------------------------|-----------------------|
| KNX medium                    | TP 1                  |
| Commissioning mode            | S mode                |
| Rated voltage KNX             | DC 21 V ... 32 V SELV |
| KNX power consumption         | typical 150 mW        |
| Connection mode KNX           | Connection terminal   |
| Safety class                  | III                   |
| Ambient temperature           | -5 ... +45 °C         |
| Storage/transport temperature | -25 ... +70 °C        |

### 5.2 Accessories

|  |                          |
|--|--------------------------|
| Cover kit 1-gang, complete                   | Art.-No.: ..401 TSA..    |
| Cover kit 2-gang, complete                   | Art.-No.: ..402 TSA..    |
| Cover kit 3-gang, complete                   | Art.-No.: ..403 TSA..    |
| Cover kit 4-gang, complete                   | Art.-No.: ..404 TSA..    |
| Cover 1-gang with symbols                    | Art.-No.: ..401 TSAP..   |
| Cover 2-gang with symbols                    | Art.-No.: ..402 TSAP..   |
| Cover 4-gang with symbols, for button 1 or 4 | Art.-No.: ..404 TSAP..14 |
| Cover 4-gang with symbols, for button 2 or 3 | Art.-No.: ..404 TSAP..23 |
| Adaptor frame for CD 500                     | Art.-No.: CD 4 AR        |



### 5.3 Warranty

We reserve the right to make technical and formal changes to the product in the interest of technical progress.

We provide a warranty as provided for by law.

Please send the unit postage-free with a description of the defect to our central customer service office:

#### **ALBRECHT JUNG GMBH & CO. KG**

Service Center  
Kupferstr. 17-19  
D-44532 Lünen  
Service-Line: +49 (0) 23 55 . 80 65 51  
Telefax: +49 (0) 23 55 . 80 61 89  
mail.vka@jung.de

#### **General equipment**

Service-Line: +49 (0) 23 55 . 80 65 55  
Telefax: +49 (0) 23 55 . 80 62 55  
mail.vkm@jung.de

#### **KNX equipment**

Service-Line: +49 (0) 23 55 . 80 65 56  
Telefax: +49 (0) 23 55 . 80 62 55  
mail.vkm@jung.de

The € symbol is a free trade symbol, which is solely intended for the authorities and does not guarantee any properties.

#### **ALBRECHT JUNG GMBH & CO. KG**

Volmestraße 1  
D-58579 Schalksmühle

Telefon: +49.23 55.8 06-0  
Telefax: +49.23 55.8 06-1 89  
E-mail: mail.info@jung.de  
Internet: www.jung.de  
www.jung-katalog.de