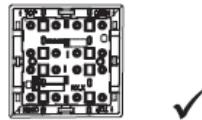
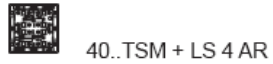
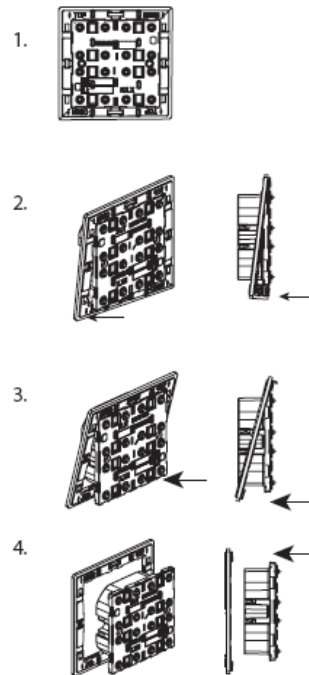


Installation instructions Adapter frame

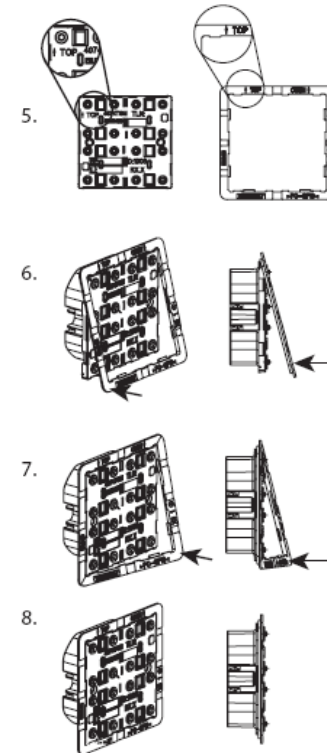
LS design ranges



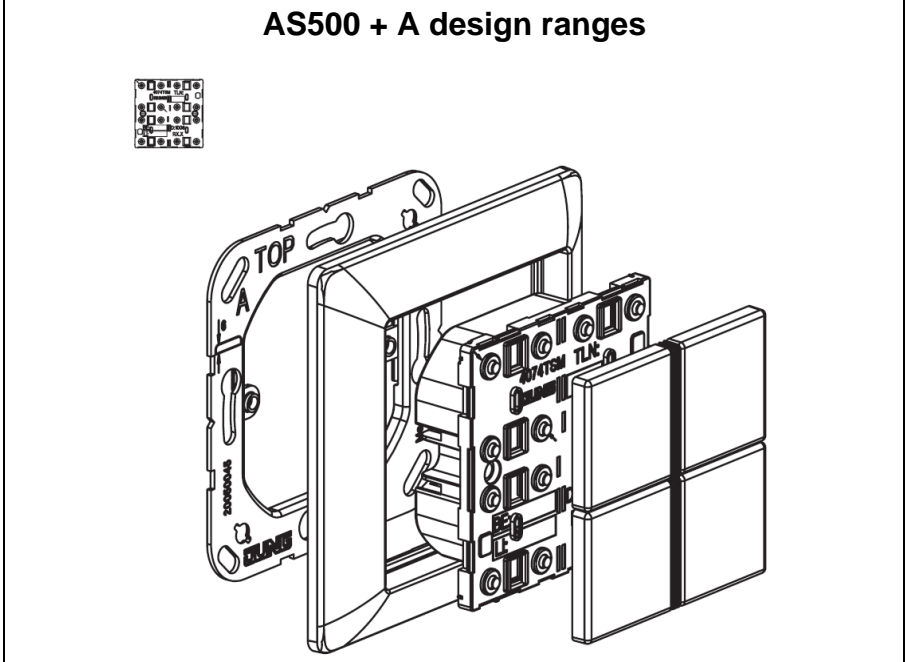
AS500 + A design ranges



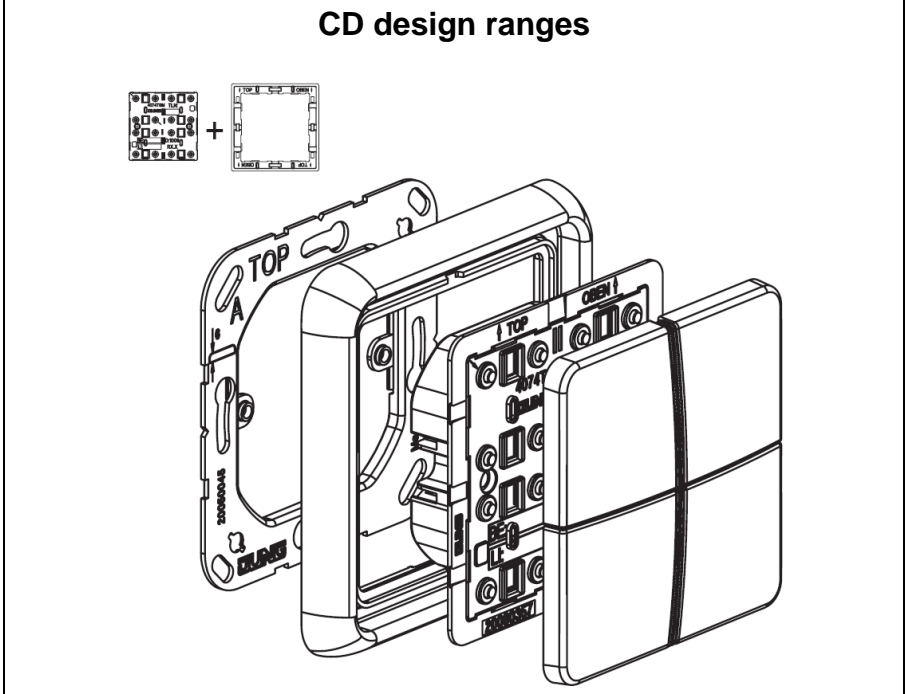
CD design ranges

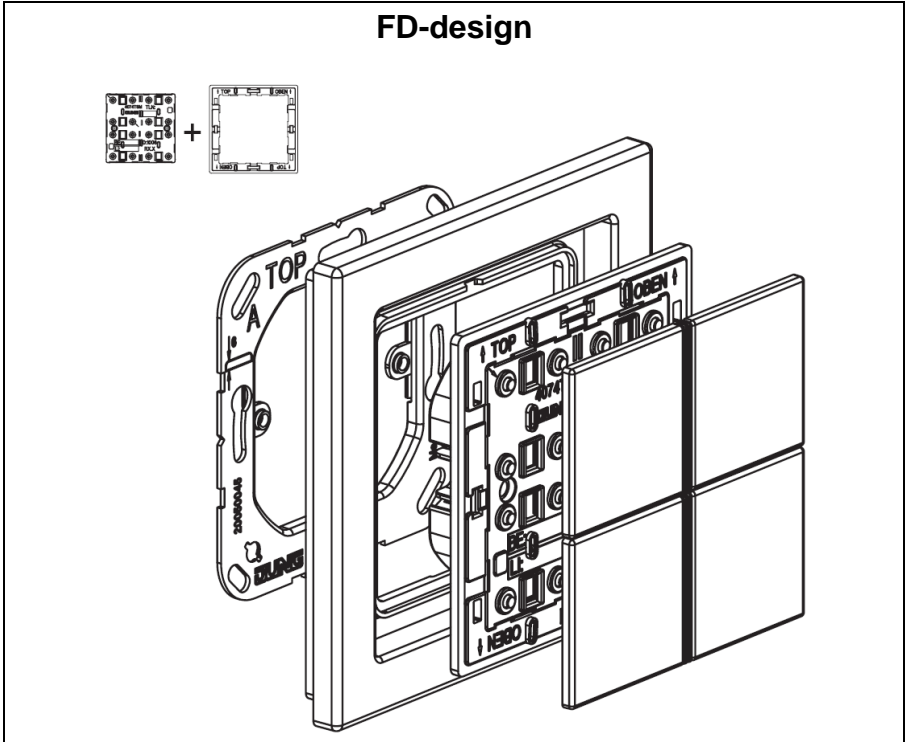
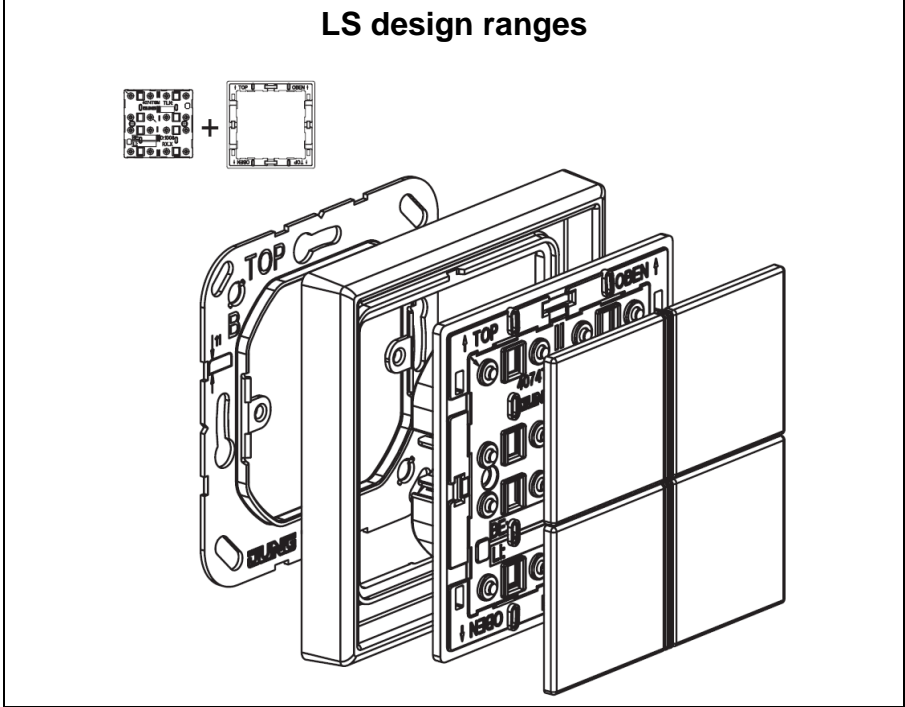


AS500 + A design ranges



CD design ranges





1. Guarantee

Our products are under guarantee within the scope of the statutory provisions.

Please return the unit postage paid to our central service department giving a brief description of the fault:

ALBRECHT JUNG GMBH & CO. KG

Service-Center

Kupferstr. 17-19

D-44532 Lünen

Service-Line: +(49) 23 55 . 80 65 51

Telefax: +(49) 23 55 . 80 61 65

E-Mail: mail.vka@jung.de

General equipment

Service-Line: +(49) 23 55 . 80 65 55

Telefax: +(49) 23 55 . 80 62 55


E-Mail: mail.vkm@jung.de

KNX equipment

Service-Line: +(49) 23 55 . 80 65 56

Telefax: +(49) 23 55 . 80 62 55

E-Mail: mail.vkm@jung.de

 The CE-Sign is a free trade sign addressed exclusively to the authorities and does not include any warranty of any properties.