

## Universal blinds insert

Art. no.: 1731JE

### Operating instructions

## 1 Safety instructions



Electrical devices may only be mounted and connected by electrically skilled persons.

Serious injuries, fire or property damage possible. Please read and follow manual fully.

Danger of electric shock. Always disconnect before carrying out work on the device or load. In so doing, take all the circuit breakers into account, which support dangerous voltages to the device and or load.

Danger of electric shock. Do not mount the device on unearthed, electrically conductive substrates or let it come into contact with them.

Risk of injury. Use the device only for controlling Venetian blind and roller shutter motors or awnings. Do not use it to switch other loads.

For parallel connection of several motors to an output it is essential to observe the corresponding instructions of the manufacturers, and to use a cut-off relay if necessary. The motors may be destroyed.

Use only venetian blind motors with mechanical or electronic limit switches. Check the limit switches for correct adjustment. Observe the specifications of the motor manufacturers. Device can be damaged.

Danger of electric shock. Damaged covers may no longer be operated. Disconnect the device immediately.

These instructions are an integral part of the product, and must remain with the end customer.

## 2 Device components

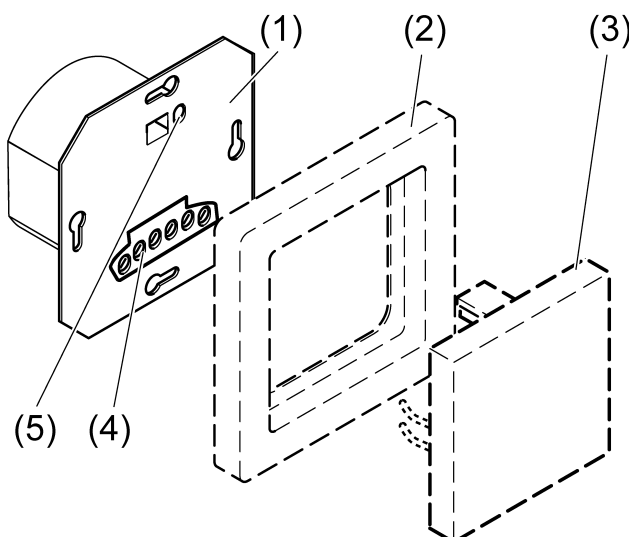


Figure 1: Device components

- (1) Venetian blind insert
- (2) Frame
- (3) Cover
- (4) Terminals
- (5) Button TEST

### 3 Intended use

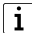
- Controlling electrically driven blinds, rolling shutters and awnings
- Automatic time controller using the cover or extension inputs
- Operation only with suitable cover from LB management
- Mounting in appliance box according to DIN 49073

#### Product characteristics

- Extension inputs for integration into group controls or master controls
- Operation as a main device or extension unit
- Wind alarm interlock via the extension unit input
- Saving of a ventilation position
- Test operation for function testing
- Reverse function of outputs for simplified commissioning

### 4 Operation

#### Moving the blind/shutter

- Press top or bottom button for longer than one second.  
The blind/shutter moves in the desired direction to the end position or stops when the button is pressed again.
-  If a ventilation position has been saved, the blind stops in the ventilation position when moving down from the top end position (see Saving the ventilation position).

#### Adjusting the slats

- Press top or bottom button for less than 1 second.

#### Saving the ventilation position

To save and execute the ventilation position, the Venetian blind must be moved to the upper end position and switch off automatically there after 2 minutes.

- From the top end position, press the bottom button for longer than second.  
The blind/shutter moves in the lower end position direction.
- Press and hold down the top and bottom buttons.  
The blind/shutter remains stopped, but continues to move after 4 seconds.
- As soon as the desired ventilation position has been reached, release the buttons and press the top button within the next 4 seconds.  
The ventilation position is saved. The blind/shutter moves back to the upper end position.

-  If the ventilation position is saved again, the old value is overwritten.

### 5 Information for electrically skilled persons

---



#### **DANGER!**

**Mortal danger of electric shock.**

**Before carrying out work on the device or load, disengage all the corresponding circuit breakers. Cover up live parts!**

---

## Connecting and mounting venetian blind insert

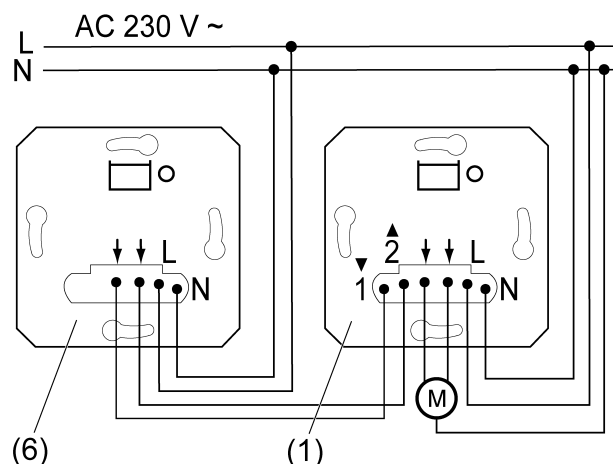


Figure 2: Control with extension

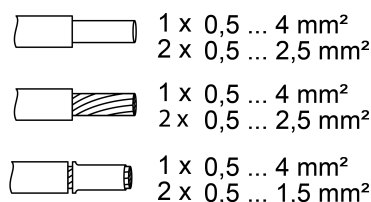


Figure 3: Terminal-specific cable cross-section:

- Connecting venetian blind insert (1) (Figure 2). Note clampable cable cross-sections (Figure 3). Optional: Connection of an extension (6). A mechanical venetian blind push-button or venetian blind switch can also be used as an extension instead of the venetian blind insert.
- Install Venetian blind control in appliance box, terminals must be at the bottom. Recommendation: Use deep appliance box.
- Switch on mains voltage.

The **TEST** button also allows activation of the connected motor without a cover, e.g. to be able to set the end positions of the motor.

- Press the **TEST** button for less than one second.  
Blind/shutter moves in the bottom end position direction.
- Press button **TEST** longer than 1 second.  
Blind/shutter moves in the upper end position direction.
- i** If the blind/shutter moves in the wrong direction, you can use the reverse function of the insert.
- Reverse function: Press the **TEST** button for more than 10 seconds.  
The insert signals successful reversing of the outputs through quick activation in the Down direction and then in the Up direction. The new direction of travel is saved to power failure-proof memory.
- Attach the frame and the cover.
- i** If multiple circuit breakers supply dangerous voltages to the device or load, couple the miniature circuit breakers or label them with a warning, to ensure disconnection is guaranteed.
- i** As long as an Up command is active on extension unit input 2 (wind alarm), the Venetian blind cannot be operated either manually or automatically.

**Integrating the device into a group control**

The venetian blind insert can be integrated into a group control (Figure 4), either for local control (1) or as a master unit (7).

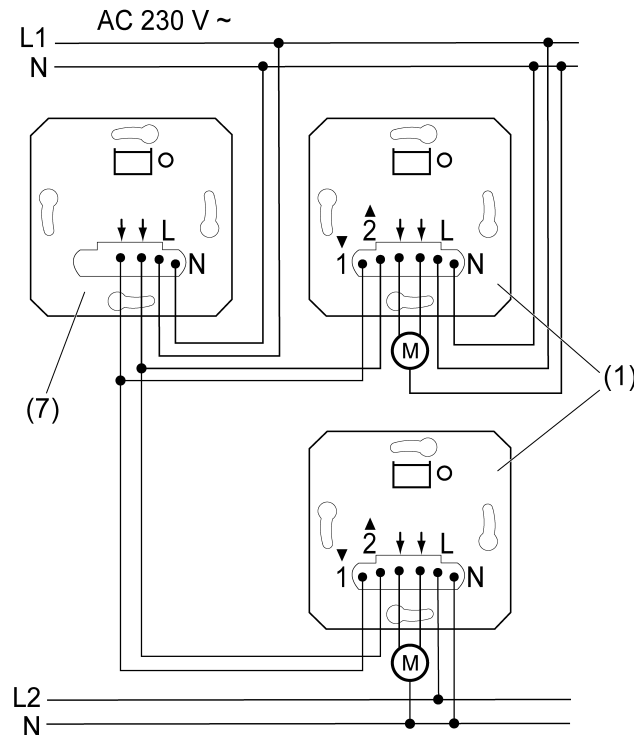


Figure 4: Connection example of group control

- Connect the venetian blind inserts according to the connection example (Figure 4). The venetian blind inserts can also be connected to different phase conductors.

**Implementing Venetian blind control via various residual current devices**

In order to prevent undesirable triggering of the residual current devices (9), the electric circuits must be decoupled by means of a Venetian blind cutoff relay (10).

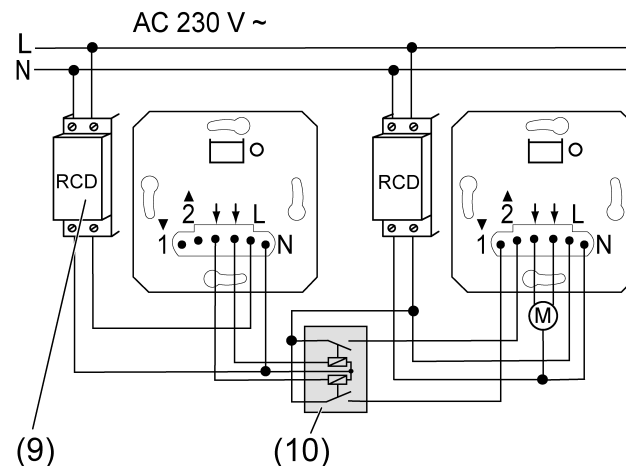


Figure 5: Connection example of two RCD circuits

- Connect the devices according to the connection example (Figure 5).

### Implementing a wind alarm

Wind sensors serve to protect a Venetian blind from being destroyed by a strong wind. The Venetian blind is moved to a safe end position and locked there until the wind drops below the set threshold value.

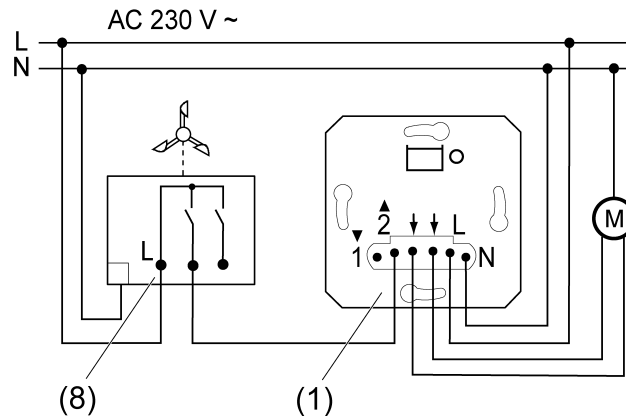


Figure 6: Connection example of wind sensor

- Connect the wind sensor (8) according to the connection example (Figure 6). The wind alarm is implemented via extension input 2.
- i** In order to use the wind alarm for all external Venetian blinds of a building, the wind sensor must be connected to extension unit input 2 of the master control.
- i** As long as an Up command is active on extension unit input 2, the Venetian blind cannot be operated either manually or automatically.

## 6 Technical data

|   |                |
|---|----------------|
| Rated voltage                                     | AC 230 V~      |
| Mains frequency                                   | 50 / 60 Hz     |
| Standby load: 0.1...0.5 W, depending on the cover |                |
| Ambient temperature                               | -5 ... +45 °C  |
| Storage/transport temperature                     | -20 ... +70 °C |
| Running time                                      | approx. 120 s  |
| Connected load                                    |                |
| Motors  | 700 W          |
| Data according to EN 60730-1                      |                |
| Action  | 1.B            |
| Degree of soiling                                 | 2              |
| Measured surge voltage                            | 4000 V         |

## 7 Warranty

The warranty is provided in accordance with statutory requirements via the specialist trade.

---

**ALBRECHT JUNG GMBH & CO. KG**

Volmestraße 1

58579 Schalksmühle

GERMANY

Telefon: +49 2355 806-0

Telefax: +49 2355 806-204

[kundencenter@jung.de](mailto:kundencenter@jung.de)

[www.jung.de](http://www.jung.de)