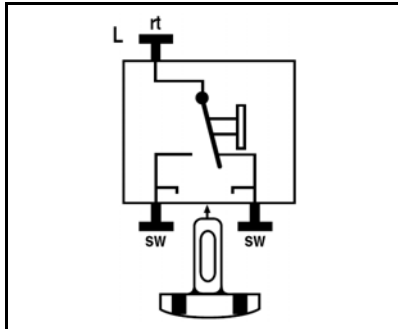




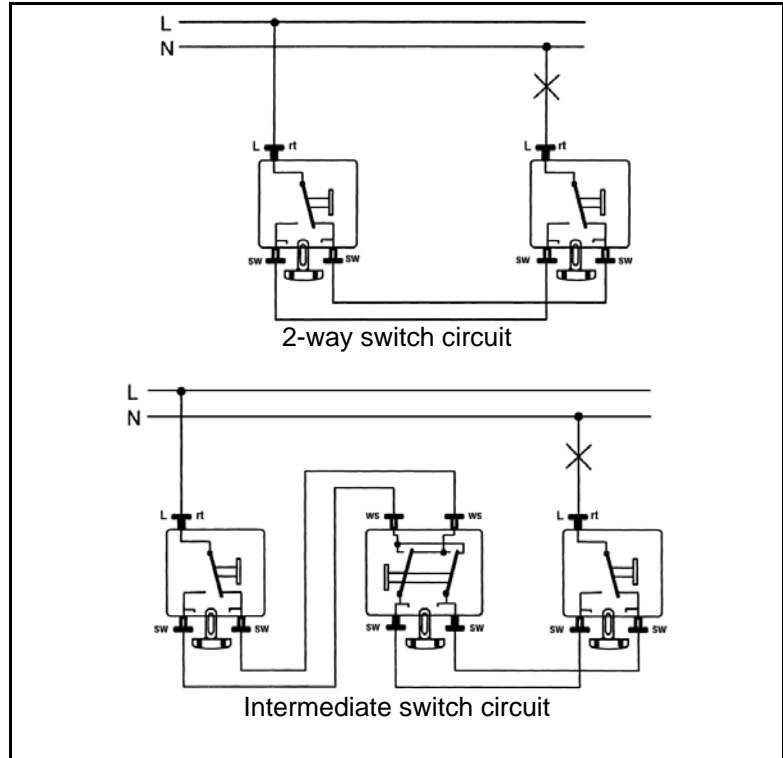
Description: 1-gang rocker switch (1-pole, 2-way)

Ref.-no.: 806 W

illumination possible with lamps



Contact assignments



Wiring diagrams
806 W

Technical data

Switching voltage:	AC 250 V ~
Switching current:	10 AX
Connection:	spring clip
Switch type:	1-pole, 2-way

Accessories

Lamp:	Ref.-no.:	90 (230 V, 1.1 mA)
	Ref.-no.:	95 (230 V, 0.5 mA)
	Ref.-no.:	96-12 (12 V, 40 mA)
	Ref.-no.:	96-24 (24 V, 25 mA)
	Ref.-no.:	96-36 (36 V, 20 mA)
	Ref.-no.:	96-48 (48 V, 25 mA)
LED lamp:	Ref.-no.:	961248 LED RT (red 12 – 48 V, ca. 4 mA)
	Ref.-no.:	961248 LED GN (green 12 – 48 V, ca. 4 mA)
	Ref.-no.:	90-LED RT (red 230 V, ca. 1.1 mA)
	Ref.-no.:	90-LED GN (green 230 V, ca. 1.1 mA)